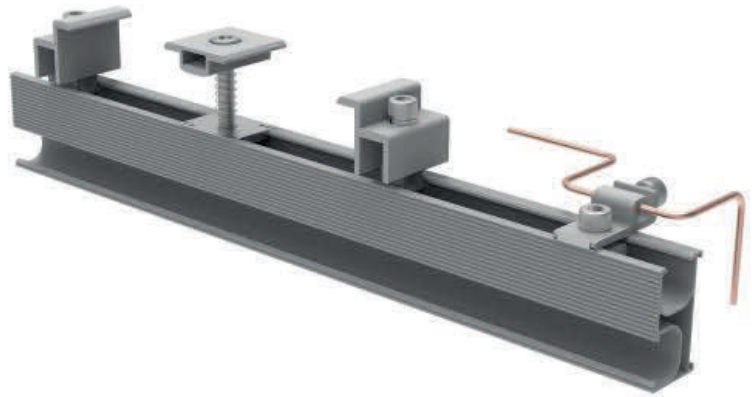


Data Sheet

SO-MRMS/Metal Roof Mounting Rail System

The SO-MRMS metal roof mounting system is designed for all types of **trapezoidal sheet metal roofs**. Thanks to its simple and quick installation, it is the most popular and traditional solution for metal roofs. The rail connection withstands high wind and snow loads. The side-mounting design enables quick installation. It is a more reliable and simpler solar mounting system for PV systems.



Universal

Suitable for all types
trapezoid metal sheet roof.

Easy Installation

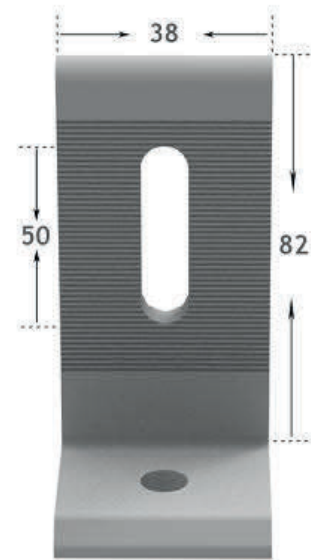
Easy to mount on roof, only need one self
drilling screw.

The actual design and dimensions of individual products may differ from the design and dimensions shown. The information and diagrams contained in this document do not constitute an offer or a contractual obligation. Product parameters are subject to change due to technical innovations and without prior notice.

SO-MRMS/Metal Roof Mounting Rail System

Technical Data

| | |
|---------------------|---------------------------------|
| Product name | SO-MRMS Metal Roof Mount. Syst. |
| Application | Trapezoidal MetalSheet |
| Inclination | Any roof inclination |
| Material | Aluminium 6005-T5 |
| Color | Nature |
| PV module | Framed |
| Module size | 1162 x 1134 mm |
| Module direction | Portrait and Landscape |
| Design wind loading | Up to 60m/s |
| Design snow loading | Up to 1 metre |
| Roof height | Up to 20 metre |
| Design Standard | EN1991, AS1170,UL1703 |

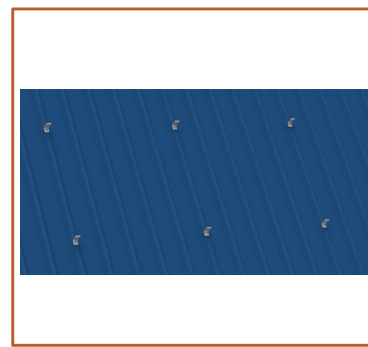


Unit: mm

Quick Installation Guide



Step 1:
After confirming the position, put L Feet on metal sheet and fasten by self-drilling screw.



Step 2:
Install all L feet on metal sheet roof.



Step 3:
Connect L feet in rail system with the nut kits.



Step 4:
Fix solar modules with universal mid-clamps and end-clamps.

The actual design and dimensions of individual products may differ from the design and dimensions shown. The information and diagrams contained in this document do not constitute an offer or a contractual obligation. Product parameters are subject to change due to technical innovations and without prior notice.