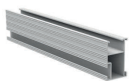


Data Sheet

SO-GMBS Ground Mounting System



Components



T-rail



Rail Splice



Mid Clamp



End Clamp



Rail nut kits



PAT leg



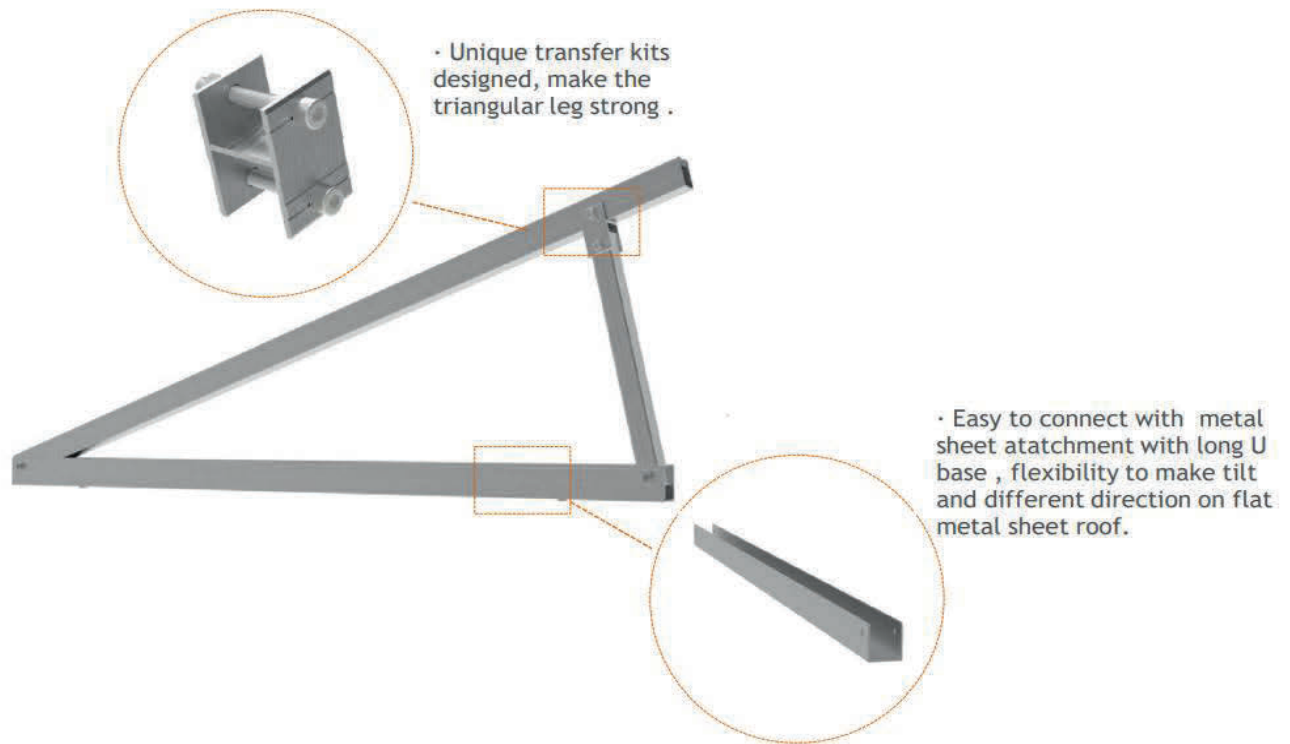
Expand bolt

Advantage

- Unique kit design for stronger support ability
- Pre-assembled for easy and quick to install
- Easy and flexibility to used on flat concrete roofs
- Easy and flexibility to used on level surfaces
- Universal mid and end clamp for 30 mm thickness modules
- Flexibility for long or short rows arrays

The actual design and dimensions of individual products may differ from the design and dimensions shown. The information and diagrams contained in this document do not constitute an offer or a contractual obligation. Product parameters are subject to change due to technical innovations and without prior notice.

Unique Feature



Technical Data

Product name: SO-GMSB Ground Mounting System
Application: Ground and flat concrete concrete roof
Inclination: Fixed 10/15/20/25/30 deg or customized
Material: Aluminum 6005 T5
Finish: Anodized clear, average 12um
PV module: Framed
Module size: 1762 x 1134 mm
Module orientation: Portrait and landscape
Module direction: South , North

The actual design and dimensions of individual products may differ from the design and dimensions shown. The information and diagrams contained in this document do not constitute an offer or a contractual obligation. Product parameters are subject to change due to technical innovations and without prior notice.