

HIGH CLASS ONE for Solar Bundle EASY 1.9 (4.05 kWp)

Solar Canopy/Carport System

Maximum flexibility for freestanding solar roofs/carports!

Transform any flat surface into your own solar power system!

Our innovative roof system with four masts offers the perfect solution for the professional installation of 9 solar panels (1,134 x 1,762 mm, 4.05 kWp) from our solar bundle EASY 1.9 - whether on open spaces, paved areas, green spaces, or commercial properties.

The area underneath is shaded, and the roof is watertight. The space beneath can be used in a variety of ways, for example, as a lounge on the patio or for parking your vehicles.

The ground anchors can be installed quickly and easily on concrete foundations.

Proven technology: Tried and tested quality and compatibility with all our EASY 1.9 solar packages (9 modules, 1,134 x 1,762 mm, 4.05 kWp).

Systematic Design: Thanks to the modular system design, the solar system can be installed and commissioned quickly.

Surface-Independent Installation: Ideal for open spaces, paved areas, green spaces, or sealed surfaces – the stands can be assembled quickly.

Storm-Proof & Stable: The robust supports ensure maximum safety even in extreme weather conditions and strong winds.

Perfect Alignment: Optimal tilt angle for maximum solar yield – completely independent of the building's orientation. A structural analysis is available for our system.

Fully Flexible Positioning: Free choice of mounting direction and position for optimal sunlight exposure without shading restrictions.

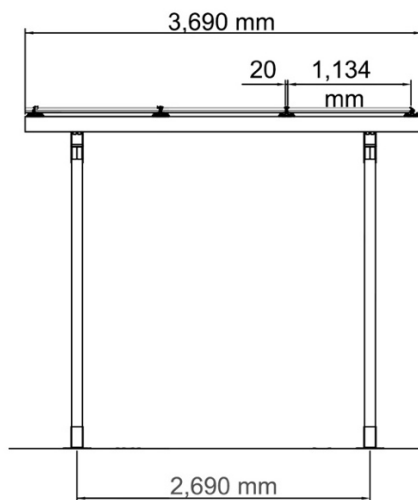
Easy Maintenance: Access via ladder at any time for regular cleaning and maintenance of your solar panels. This ensures maximum energy yield.



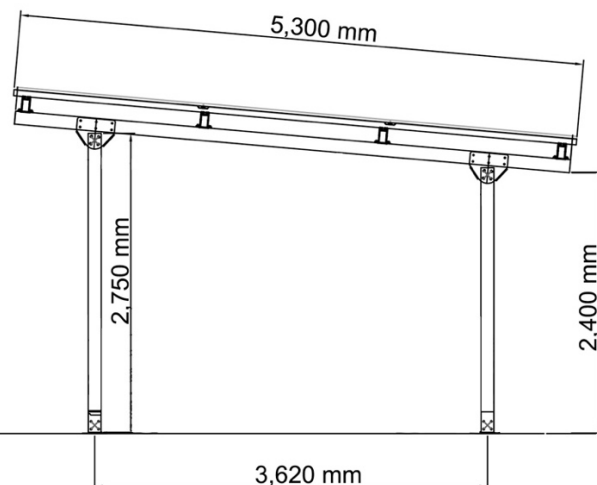
Technical description:

Main Material:	Aluminum anodized	How many panels can be attached:	9 pieces 450Wp (4.05 kWp)
Space requirements:	Approx. 5,500 x 3,690 mm	Main dimensions solar panel:	H 1,762 x W 1,134 x D30 mm
Wind load:	35 m/s	Weight each solar panel:	24.6 kg/per pcs.
Special feature:	Waterproof	Total grid area approx:	~ 24.5 m ²
Installation:	not included	Concrete foundation:	not included
Optional:	Control cabinet for outdoor use		

Front view



Side view



Due to the complexity, the specified technical parameters, dimensions, including performance parameters, are typical values. The actual values of certain products in certain configurations may vary from these typical values. The information and illustrations contained in this document do not constitute an offer or a contractual obligation. Product parameters are subject to change due to technical innovations and are subject to change without prior notice.

WECASS BRAUN Integrated Energy Ltd.

1 Oremeji Street

Onipetesi, Idi-Mangoro

Ikeja 101233 Lagos, Nigeria

www.wecass-braun.com

info@wecass-braun.com

+234 8126064555

[W3] wecass
lighting | energy | trainings
BRAUN