

UNIQUE ONE for Solar Bundle EASY+GROW 1.12 (5.4 kWp)

Smart Solar Dual Axis Tracking System

Our state-of-the-art 2-axis solar tracking system represents the pinnacle of solar technology, designed to maximize energy input by continuously aligning solar panels with the sun's position throughout the day and across seasons.

This intelligent tracking mechanism ensures optimal energy capture from dawn to dusk.

A solar tracker is a sophisticated device that automatically orients solar panels, parabolic mirrors, Fresnel reflectors, or other solar collectors toward the sun.

By minimizing the angle between incoming sunlight and photovoltaic modules, our tracking system significantly increases energy generation from your installed solar capacity.

Extended Daily Operation: While fixed panels lose over 75% of potential energy in morning and evening hours, our tracking system follows the sun's 180° daily path, recovering these significant losses.

Early Morning Advantage: Captures valuable energy during cool morning hours when photovoltaic cells operate at peak efficiency (up to 20% higher than midday performance).

Seasonal Optimization: The system automatically adjusts for seasonal sun path variations, ensuring maximum efficiency year-round as the sun's position shifts throughout the seasons.

Up to 99.6% Energy Capture: Our precision tracking system with $\pm 5^\circ$ accuracy captures more than 99.6% of direct beam energy plus 100% of diffuse light, far exceeding fixed panel performance.



Technical description:

Main Material:	Galvanized steel	Controller Type:	MCU (32bit)
Azimuth Tracking Range:	-135°~+135° (Any Range Within -175°~+175°)	Tracking Cycle:	Can be Set Up
Altitude Tracking Range:	0~60°	CU/STCU Visual Operation:	Yes
Wind load:	37 m/s	Operating Temperature:	-30° ~ + 70°
Rated Operational Voltage:	DC24	Main dimensions:	see the drawings on the next page
Rated Operational Current:	10A (Single Way)	System Weight:	1,120 kg
Power Supply Mode:	AC100~305V power supply String DC250~1500V power supply	How many panels can be attached:	12 pieces 450Wp (5,4 kWp)
Control Algorithm:	Astronomical Algorithm + Position Sensor Closed Loop Control	Main dimensions solar panel:	H 1,762 x W 1,134 x D30 mm
Protection Level:	IP65	Weight each solar panel:	24,6 kg/per pcs.
Local Communication Mode:	WIFI	Total grid area approx:	~ 24,5 m ²
Remote Communication Mode:	WIFI or 4G (Optional)	Installation:	not included
Night Return Mode:	Yes	Concrete foundation:	not included
Backtracking Algorithm:	Yes	Optional:	Control cabinet for outdoor use
SCADA (Supervisory Control and Data Acquisition):	Yes		
Rotation Position Protection:	Sensor + Software Protection		

Due to the complexity, the specified technical parameters, dimensions, including performance parameters, are typical values. The actual values of certain products in certain configurations may vary from these typical values. The information and illustrations contained in this document do not constitute an offer or a contractual obligation. Product parameters are subject to change due to technical innovations and are subject to change without prior notice.

WECASS BRAUN Integrated Energy Ltd.

1 Oremeji Street

Onipetesi, Idi-Mangoro

Ikeja 101233 Lagos, Nigeria

www.wecass-braun.com

info@wecass-braun.com

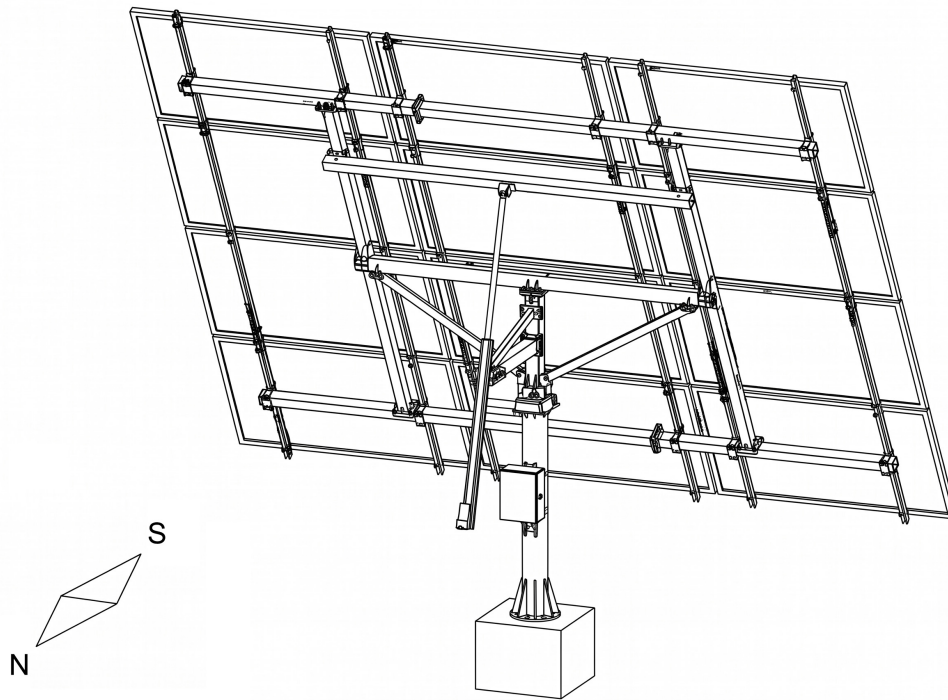
+234 8126064555

[W3] wecass
lighting | energy | trainings
BRAUN

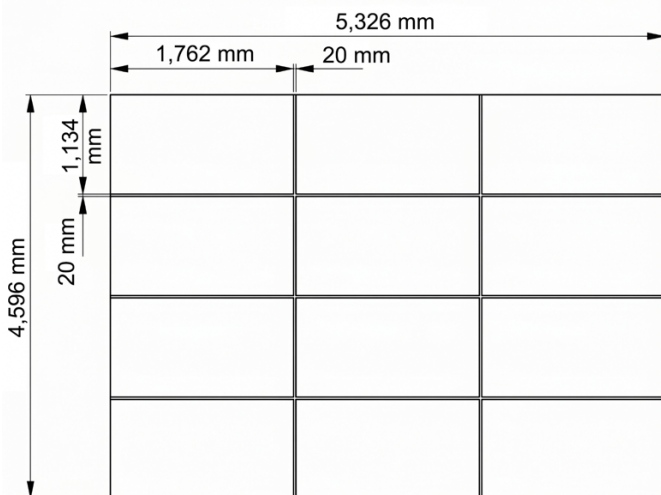
UNIQUE ONE for Solar Bundle EASY+GROW 1.12 (5.4 kWp)

Smart Solar Dual Axis Tracking System

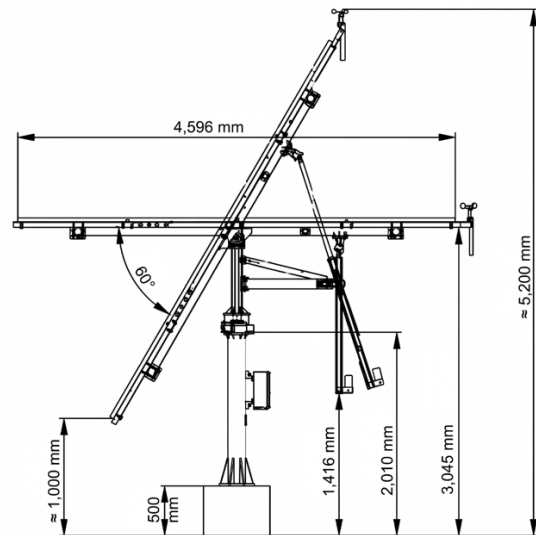
Isometry:



Top view



side view



Due to the complexity, the specified technical parameters, dimensions, including performance parameters, are typical values. The actual values of certain products in certain configurations may vary from these typical values. The information and illustrations contained in this document do not constitute an offer or a contractual obligation. Product parameters are subject to change due to technical innovations and are subject to change without prior notice.

WECASS BRAUN Integrated Energy Ltd.

1 Oremoji Street

Onipetesi, Idi-Mangoro

Ikeja 101233 Lagos, Nigeria

www.wecass-braun.com

info@wecass-braun.com

+234 8126064555

[W3] wecass
lighting | energy | trainings
BRAUN